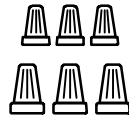
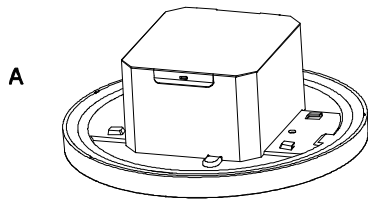


6" 3 in 1 downlights installation instructions

Packing List

General accessories

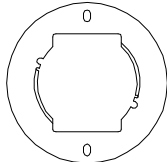


B

Wire nuts P2 x3
Suggest to used for flush mount installation

Wire nuts P3 x3
Suggest to used for retrofit&new recessed installation

Flush mount Downlight Packing List



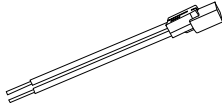
D Mounting Bracket x1



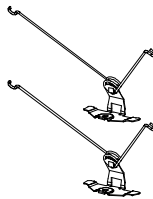
E Junction box screw#8-32 1-1/2 Screwx2

F Junction box screw#8-32 3/4 Screwx2

Retrofit recessed Downlight Packing List



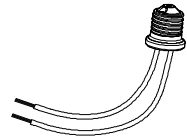
C TP24 Supply wire adapter x1



G Torsion Springs x2

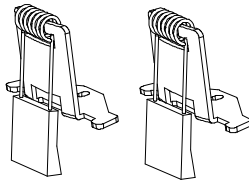


H M3x4 Screwx2



I E26 base adapter x1

New Recessed construction Downlight Packing list

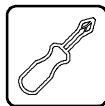


J Spring Clips x2

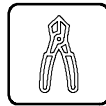


H M3x4 Screwx2

Installation tools



Phillips Screwdriver



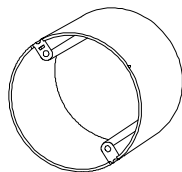
Pliers

Application scene

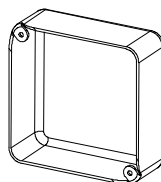
Suitable for 5" or 6" Retrofit downlight.

Suitable for hole cut size of 6" downlight or replace for old 6" downlight.

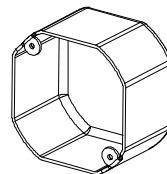
Suitable for surface mount. The following specification junction boxes are available when choosing surface mount.



4"Round junction box
Depth≥1-1/2



4"Square junction box
Depth≥1-1/2



4"Octagonal junction box
Depth≥1-1/2

Flush mount instructions

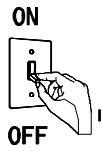


Fig.1
Turn off the power
Make sure the switch is
OFF

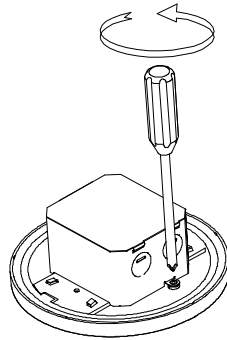


Fig.2
Remove the screw at one
side of the junction
box, and then take off the
junction box.

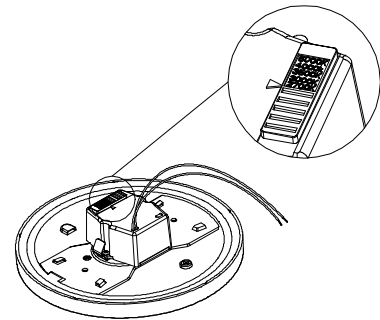


Fig.3
Toggle the button to adjust
the CCT, total 5 CCT can be
selected.

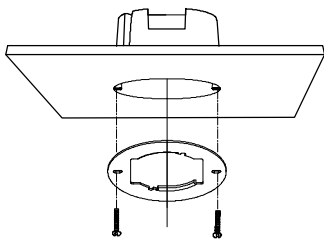


Fig.4
According to the embedded
junction box to choose
accessories "E" or "F"

Then, use screwdriver to lock
the accessory "D" to the
embedded junction box with
screw "E" or "F"

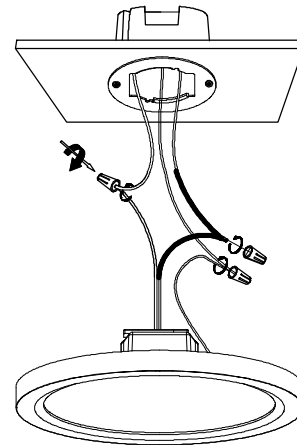


Fig.5
Firstly, choose suitable accessory "B"

Then, use accessory "B" to connect
the wire in the embedded junction
box with the wires on downlight
(black to black, white to white, green
to green)

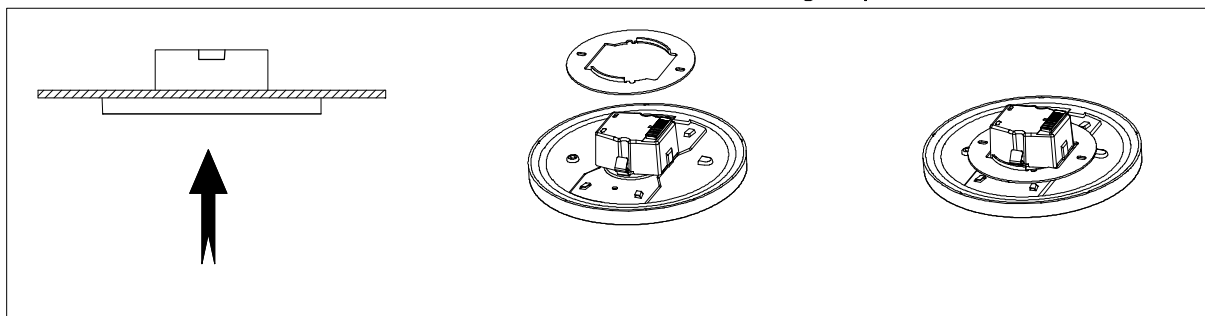


Fig.6
Push the downlight into the mounting bracket. Until this step, the
installation is completed.

Retrofit recessed instructions



Fig.1
Turn off the power
Make sure the switch is OFF

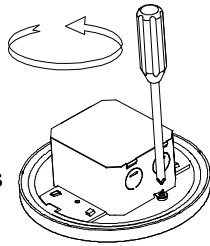


Fig.2
Remove the screw at one side of the junction box, and then take off the junction box.

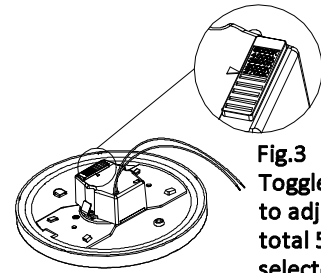


Fig.3
Toggle the button to adjust the CCT, total 5 CCT can be selected.

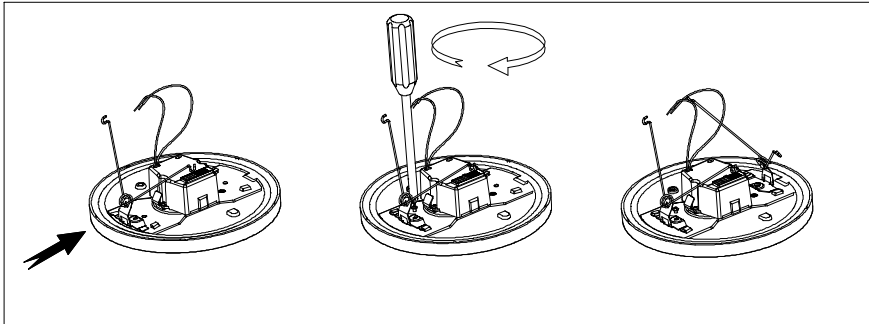


Fig.4
As shown in the figure, use accessory "H" to fix accessory "G" on the downlight. The tool used here is a Phillips screwdriver

Method 1. Use E26 base adapter

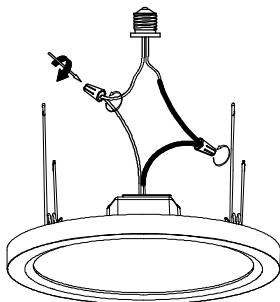


Fig.5
Firstly, choose suitable accessory "B"

Then, use accessory "B" to connect the wire on E26 with the wires on downlight (black to black, white to white, if you got Earth in the embedded housing, then make it green to green)

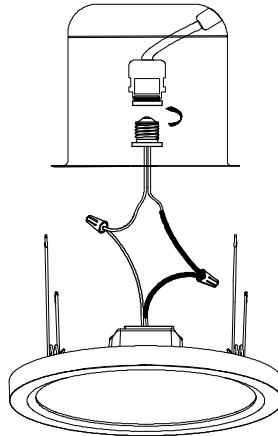


Fig.6
Install the accessory "I" into the embedded housing as shown in the picture

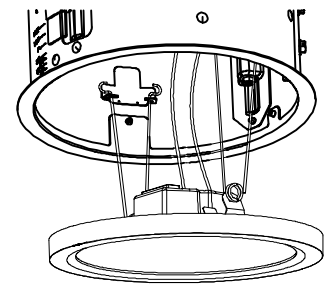


Fig.7
Push the downlight into the embedded housing by accessory "G". Until this step, the installation is completed.

Method 2. Use TP24 Supply wire adapter

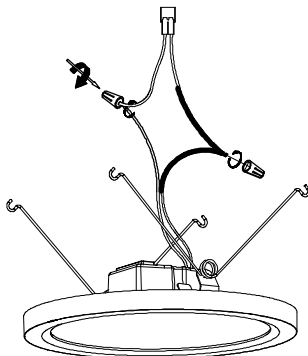


Fig.5
Firstly, choose suitable accessory "B"

Then, use accessory "B" to connect with the accessory "C" directly.

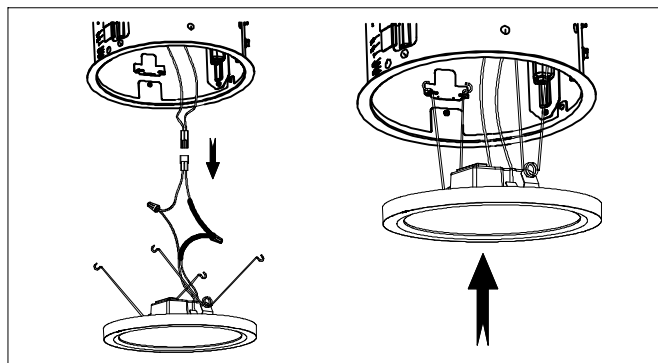


Fig.6
Connect the accessory "C" with the TP24 which is already in the embedded housing. Then, push the downlight into the embedded housing by accessory "G". Till this step, the installation is completed. It should be noted that the accessory "G" need to be pinched and stuck to the internal fittings of the housing.

New Recessed construction instructions

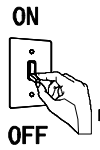


Fig.1
Turn off the power
Make sure the switch is
OFF

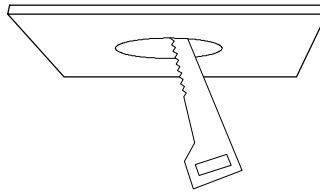


Fig.2
Use tools to cut holes in the ceiling
(4inch:108CM 6/8inch: 160CM)

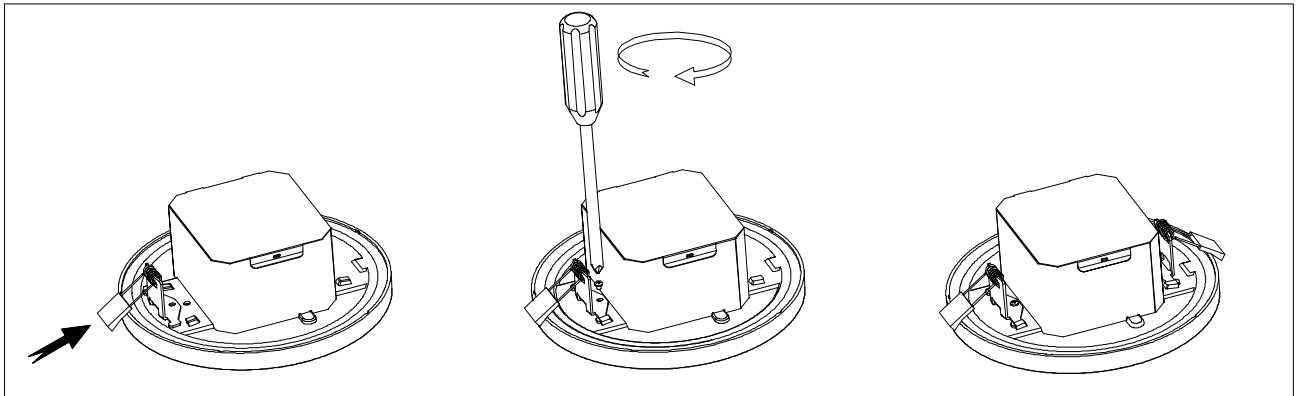


Fig.3
As shown in the figure,use accessory "H" to fix accessory "J" on the downlight.
The tool used here is a Phillips screwdriver

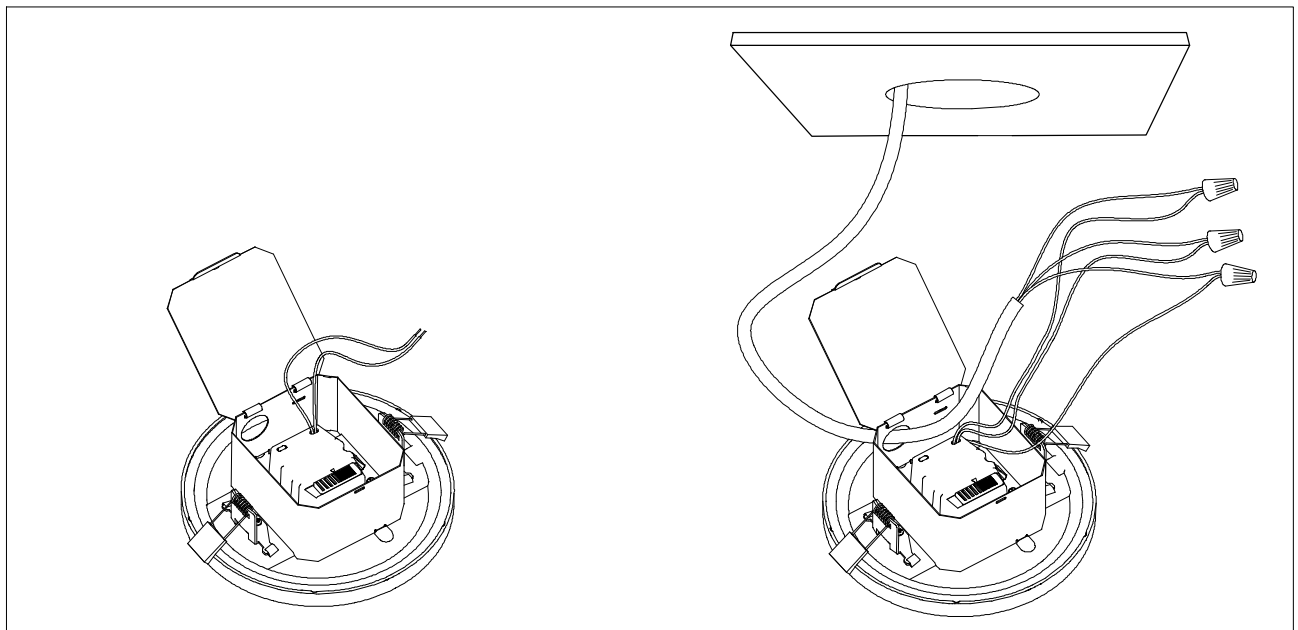


Fig.4
Choose suitable accessory "B"

Use accessory "B" to connect the wires in the embedded housing with the wires in the junction box(black to black,white to white,green to green)

New Recessed construction instructions

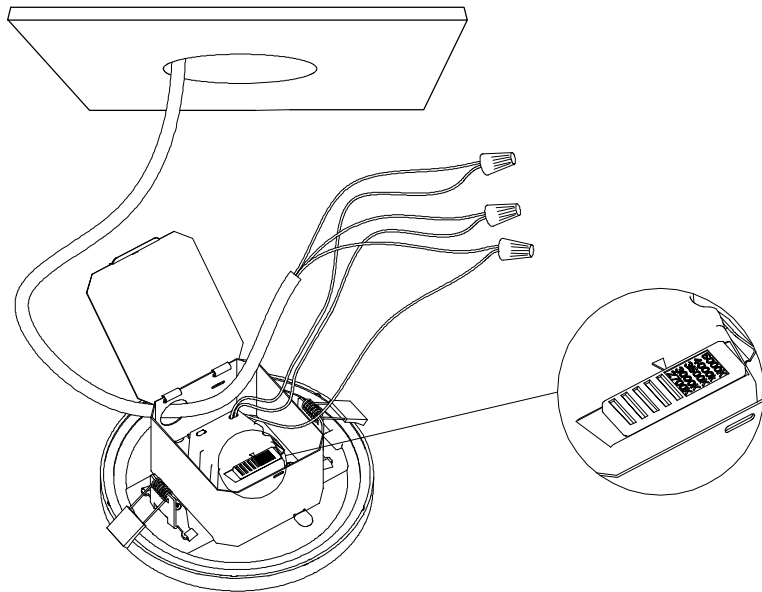


Fig.5
Toggle the button to adjust the CCT, total 5 CCT can be selected.

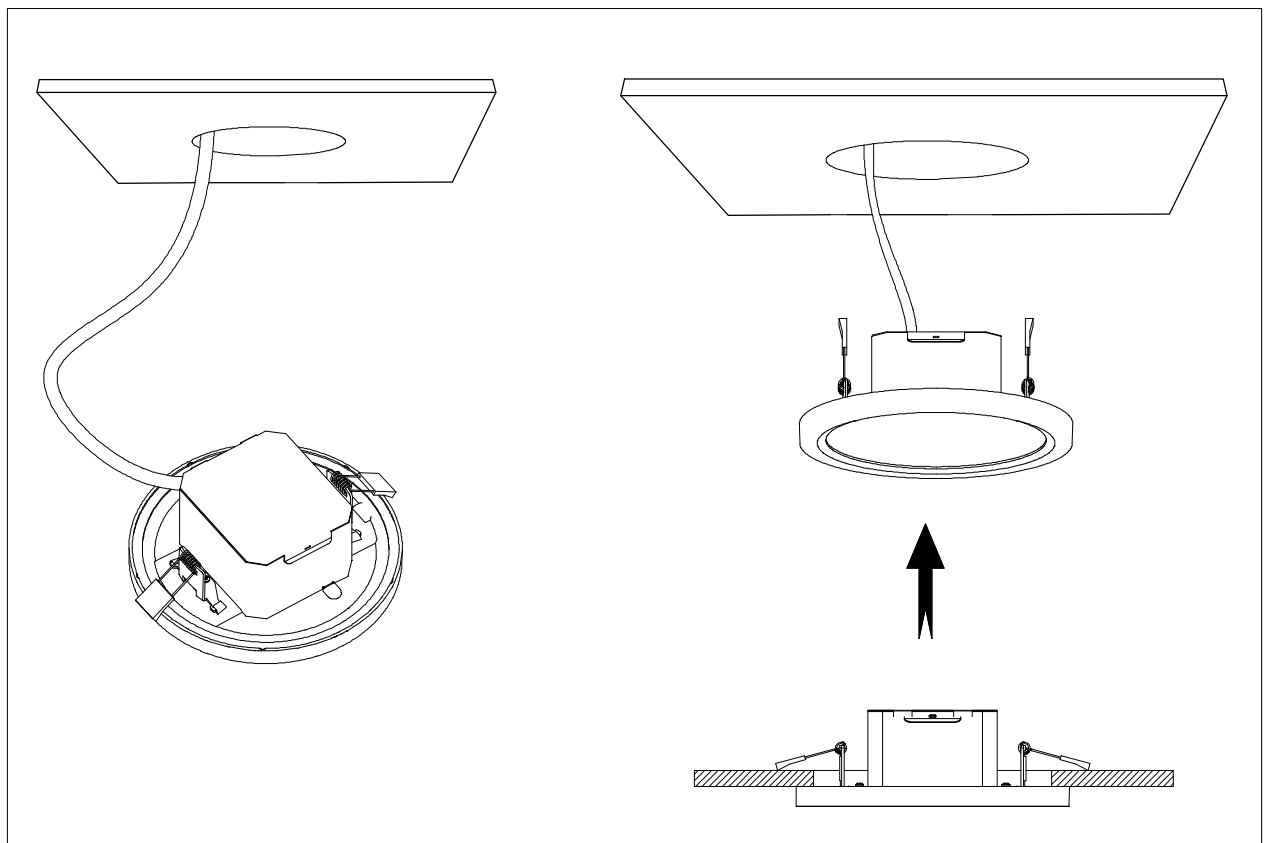


Fig.6
Push the downlight into the embedded housing by accessory "J". Till this step, the installation is completed.